



The Transporter Van



THE TRANSPORTER Specifications / September 2010	Van
FEATURES AND OPTIONS	
S = Standard O = Optional Extra – Not Available	
Safety and Security	
Driver and front passenger airbag	S
Driver and front passenger head/thorax airbags (not available with bench seats)	O
Daytime Running Lights	S
Electronic engine immobilizer	S
Remote central locking with 2 remote keys	S
Front height adjustable 3 point seatbelts with pre-tensioners	S
Park distance control – rear	O
Park distance control for front and rear	O
Electronic Stability Program (ESP)	S
Light and Sight package – includes Dusk sensing headlights with 'coming home' function, rain sensing wipers and auto dimming rear view mirror	O
Alarm with back-up horn	O
Driver Assistance Systems	
Side Assist (SWB Vehicles only)	O
Rear View Camera (RVC Plus) – only with RNS 510	O
Exterior	
Metallic paint	O
Pearl effect paint	O
Rear fog lamp	S
Front fog lamps with cornering function	O
Electrically adjustable door mirrors with heating function	S
Front and rear mud flaps	S
Medium roof in white (add 30kg to tare weight)	O
Medium roof in body colour	O
High roof in white - LWB only (add 50kg to tare weight)	O
High roof in body colour - LWB only (add 50kg to tare weight)	O
Body coloured bumpers	O
Left hand side sliding door	S
Right hand side sliding door	O
Power sliding side doors (left and right)	O
Rear wing doors with heated windows	O
Fixed window (centre left/right), per side	O
Sliding window (centre right/right), per side	O
Sliding/tilting Sunroof in cab	O
17" x 7J Alloy wheels "Thunder" with 235/55 R 17 103 W tyres	O
C Rails – roof rack mounting rails for movable roof rack (not with medium or high roof)	O
Interior	
RCD210 Radio CD Player with MP3 Single Din	S
RCD310 Radio CD Player with MP3 Double Din with Aux-In	O
RNS510 Satellite Navigation	O
'Climatic' Air Conditioning	S
3 Spoke steering wheel	S
Leather steering wheel with multifunction controls	O
Multifunction display (I) black and white - shows trip kms and average kms, trip time, average fuel consumption, actual fuel consumption and range.	O

THE TRANSPORTER Specifications / September 2010

Van

FEATURES AND OPTIONS

S = Standard O = Optional Extra – Not Available

Interior (Continued)

Multifunction display (2) Dash Insert changes to have fuel and temp in separate gauges plus Mono chrome multifunction display – shows route time, average speed, actual speed, oil temp, speed warning, travel time, actual fuel consumption, average fuel consumption and range O

Premium Blue tooth Phone Kit (limited range of phones with RSAP – only with RCD310 + Multifunction display 2 + Multi-function Steering wheel O

ipod and iphone connector – only with RCD310 O
 Double bench seat in front row with storage compartment O
 Lockable glovebox S
 Dash mounted gear shifter S
 Drivers seat height adjustment with lumbar support and armrest O
 Driver and front passenger seat with height adjustment and lumbar support and armrest O

Comfort Package – includes cab noise reduction + 2 x sunvisor vanity mirror + 2 x A pillar grab handle + dimmable dash panel and two tone horn O

Cloth seats S
 2nd Row 3 seater bench (removable) –
 Fixed partition with fixed window O
 Rubber floor for cargo area O
 Wooden floor for cargo area O
 2nd Battery O

Convenience

Front electric windows with roll-back function S
 Driver and passenger with one-touch up/down S
 Heated window on rear tailgate S
 Cruise control (std on T32kW) O

Instrumentation

Speedometer and tachometer, electronic odometer and trip meter, digital clock, fuel & coolant indicators, low fuel warning light, outside temperature and fuel gauge. S

Mechanical

Suspension Upgrade 1 (Shocks only) O
 Suspension Upgrade 2 (Shocks and Springs) O
 Electric differential lock (4MOTION models only) O

Disclaimer:

The information and the specifications contained within this document were correct at the time of issue. Due to our continuous process of improvement our products are continually updated and changes may be made to the specifications from time to time. Not all vehicles or options may be available. Check at time of ordering.

THE TRANSPORTER Specifications / September 2010

TECHNICAL SPECIFICATIONS

Engine	75kW TDI	103kW TDI	132kW TDI
Type	4 Cylinder, DOHC, 16 Valve		
Installation	Transverse installation		
Construction materials	All alloy		
Capacity, litres/cc	2.0 / 1,968		
Bore x Stroke / Compression ratio	81.0mm x 95.5mm / 16.5:1		
Maximum power, kW @ rpm	75 @ 3,500	103 @ 3,500	132 @ 4,000
Maximum torque, Nm @ rpm	250 @ 1,500-2,500	340 @ 1,750-2,500	400 @ 1,500-2,000
Fuel system	Common Rail Direct Injection		
Induction type	Single-turbocharger		Twin-turbochargers
Intercooled	Yes		
Emissions standard #	Euro 5 with Diesel Particulate Filter (DPF)		
Fuel type	Diesel		
Fuel tank capacity	80 Litres		
Transmission			
Transmission – manual	5 Speed Manual	6 Speed Manual	6 Speed Manual
Transmission – automatic		7 Speed DSG	7 Speed DSG
Driven wheels	Front wheel drive		Front wheel drive / Optional 4MOTION
Wheels and Tyres			
Wheels	Steel 6.5J x 16		Steel 7J x 17
Tyres	215 / 65 R16C 107/105T		235 / 55 R17 103 W
Fuel Consumption – ADR81/02	Comb/Urban/ExUrban • CO ₂	Comb/Urban/ExUrban • CO ₂	Comb/Urban/ExUrban • CO ₂
Manual, Litre/100km • CO ₂	7.5 / 9.7 / 6.3 198g/km	7.7 / 9.8 / 6.5 203g/km	7.8 / 9.8 / 6.7 205g/km
Automatic, Litre/100km • CO ₂	–	8.2 / 10.4 / 6.9 216g/km	8.1 / 10.2 / 6.9 214g/km
4MOTION, Litre/100km • CO ₂	–		8.4 / 10.5 / 7.2 221g/km

Disclaimer:

The information and the specifications contained within this document were correct at the time of issue. Due to our continuous process of improvement our products are continually updated and changes may be made to the specifications from time to time. Not all vehicles or options may be available. Check at time of ordering.

Emission level according to European Regulation (EC) No. 715/2007 and Regulation (EC) No. 692/2008.

THE TRANSPORTER Specifications / September 2010

TECHNICAL SPECIFICATIONS

Suspension and Steering					
Front axle	Independent McPherson struts, sub frame with coil springs and gas filled dampers				
Rear axle	Semi trailing independent rear axle with coil springs and anti roll bar				
Steering	Rack and pinion power steering				
Turning Circle	SWB: 11.9m / LWB: 13.2m				
Brakes	75kW TDI	103kW TDI	132kW TDI		
Front brakes	308mm Disc brakes	308mm Disc brakes	340mm Disc brakes		
Rear brakes	294mm Disc brakes				
Brake systems	ESP, ABS, ASR, MSR, EDL and Hill Holder				
Weights	SWB		LWB		
GVM, kg	3,000				
Towing capacity, braked / unbraked	2000kg / 750kg				
Towing downhill load	100kg				
	75kW TDI	103kW TDI	132kW TDI		
Tare weight (includes driver) SWB standard roof height	1682	1717	1764		
Tare weight (includes driver) LWB standard roof height	1733	1768	1815		
Payload SWB	1318	1283	1236		
Payload LWB	1267	1232	1185		
Dimensions	SWB		LWB		
Length, mm	4892		5292		
Width, mm	1904		1904		
Height std / med / high, mm	1990 / 2176 / -		1990 / 2176 / 2476		
Wheelbase, mm	3000		3400		
Interior Dimensions (Wheelbase – Roof height)	SWB - STD	SWB - MED	LWB - STD	LWB - MED	LWB - HGH
Load volume, m ³	5.8	6.7	6.7	7.8	9.3
Maximum length, mm	2353	2353	2753	2753	2753
Maximum width, mm	1692	1692	1692	1692	1692
Maximum width at wheelarches, mm	1244	1244	1244	1244	1244
Maximum height, mm	1410	1626	1410	1626	1940

THE TRANSPORTER Specifications / September 2010

TECHNICAL SPECIFICATIONS

Cargo Entry

Rear tailgate width, mm	1486
Rear tailgate height, mm	1305
Lateral sliding doors width, mm	1020
Lateral sliding doors height, mm	1284

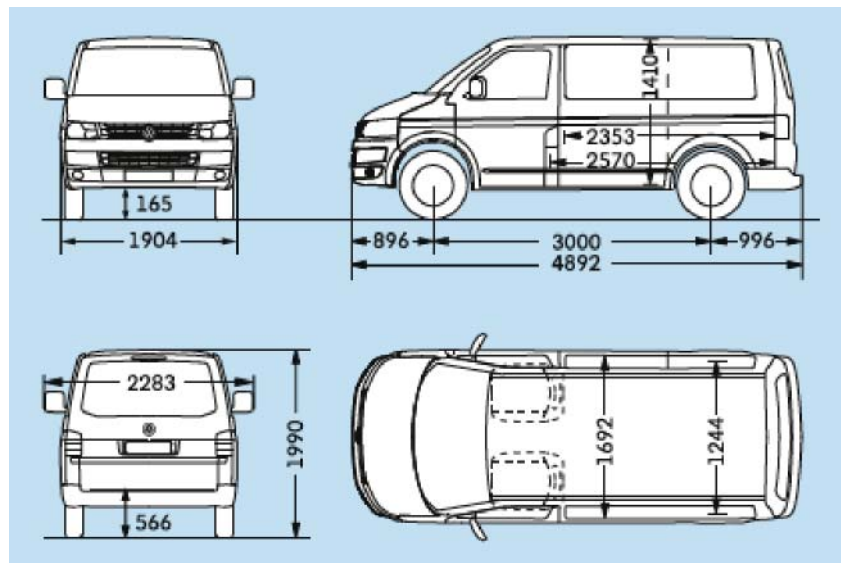
Warranty

Vehicle	3 Years, Unlimited km
Paint / Corrosion	3 Years / 12 Years
Road side assistance	3 Years, 100,000km

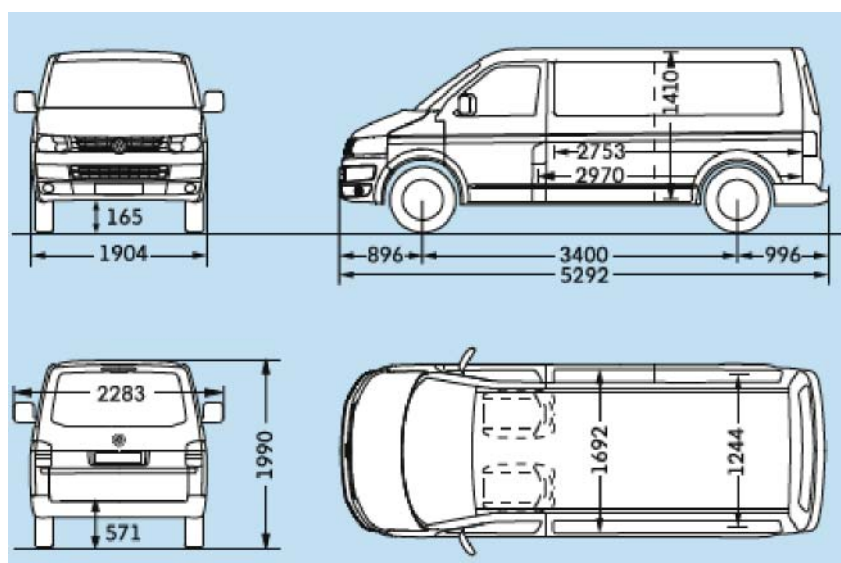
Disclaimer:

The information and the specifications contained within this document were correct at the time of issue. Due to our continuous process of improvement our products are continually updated and changes may be made to the specifications from time to time. Not all vehicles or options may be available. Check at time of ordering.

TECHNICAL SPECIFICATIONS



Transporter panel van short wheelbase with standard roof



Transporter panel van long wheelbase with standard roof